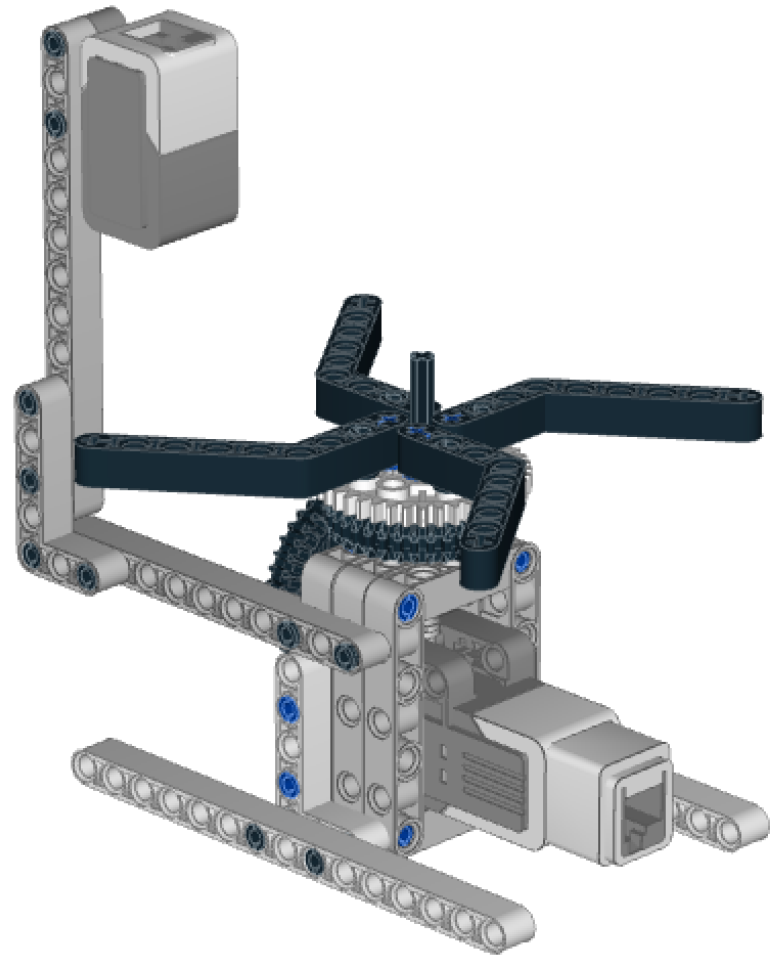
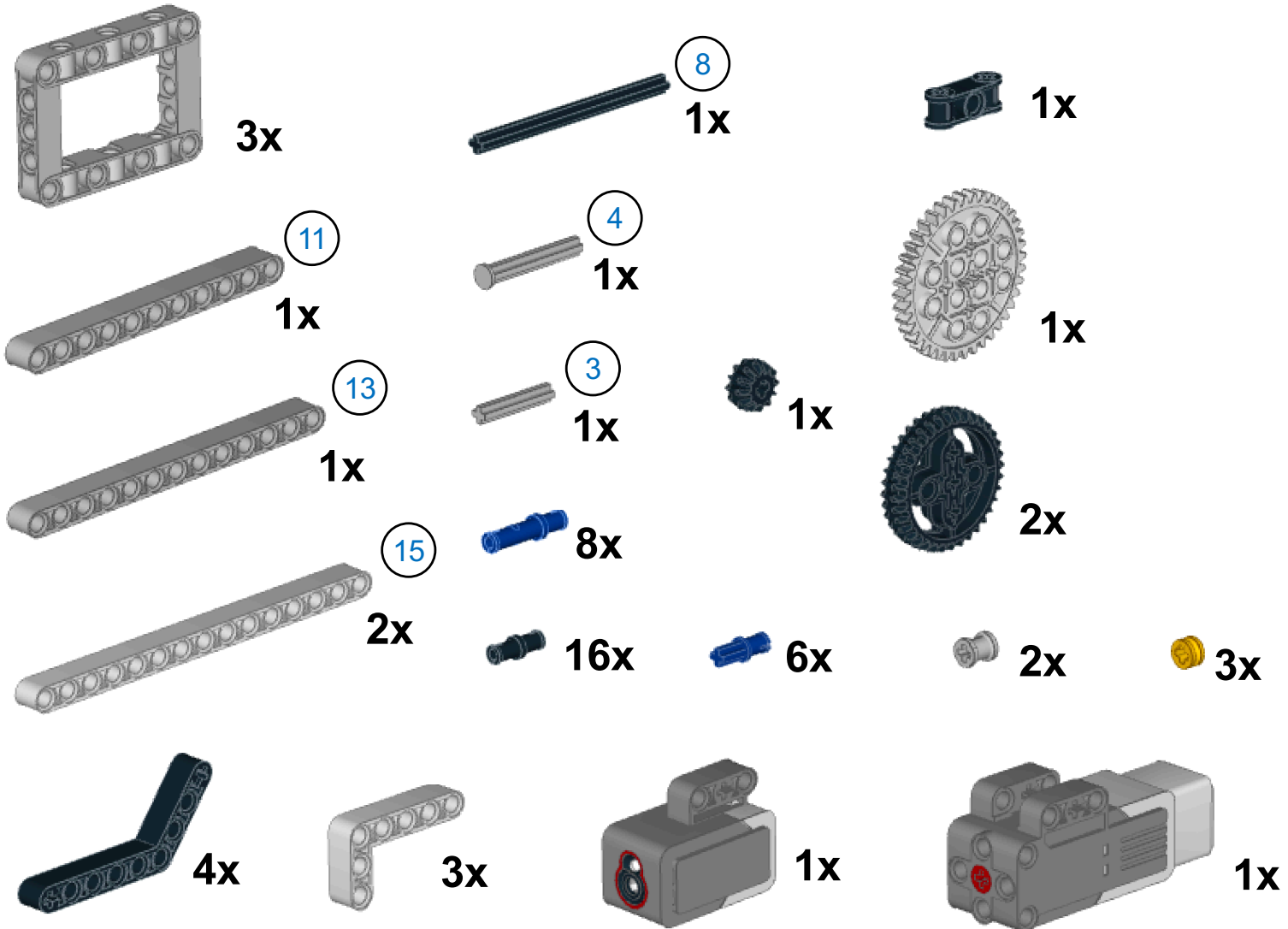
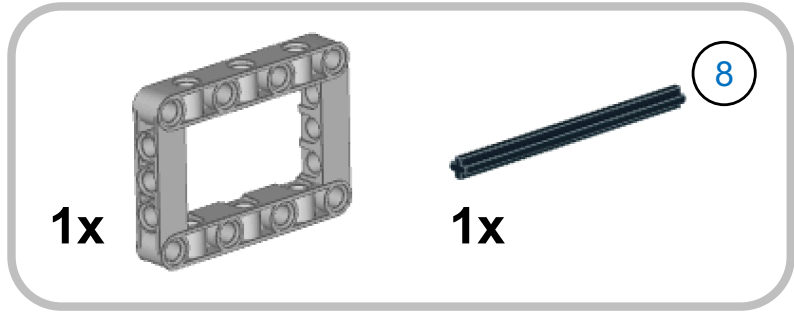


LEGO Mindstorms Phonograph Player

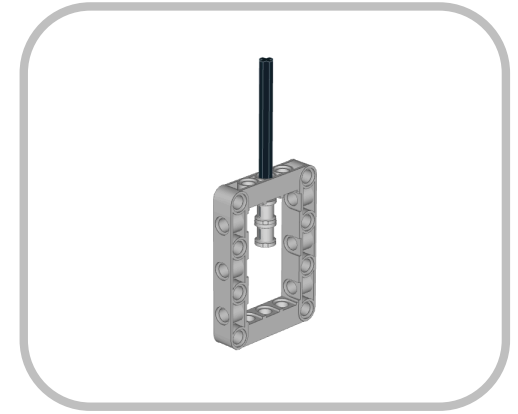
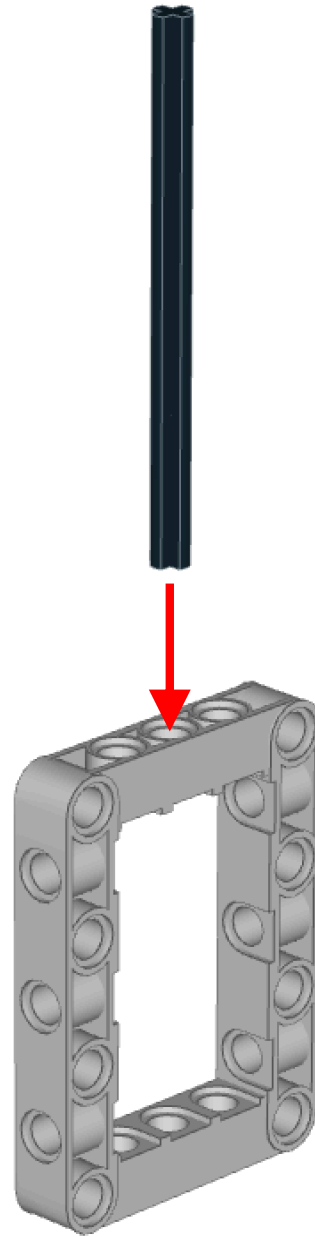


Parts Required





1



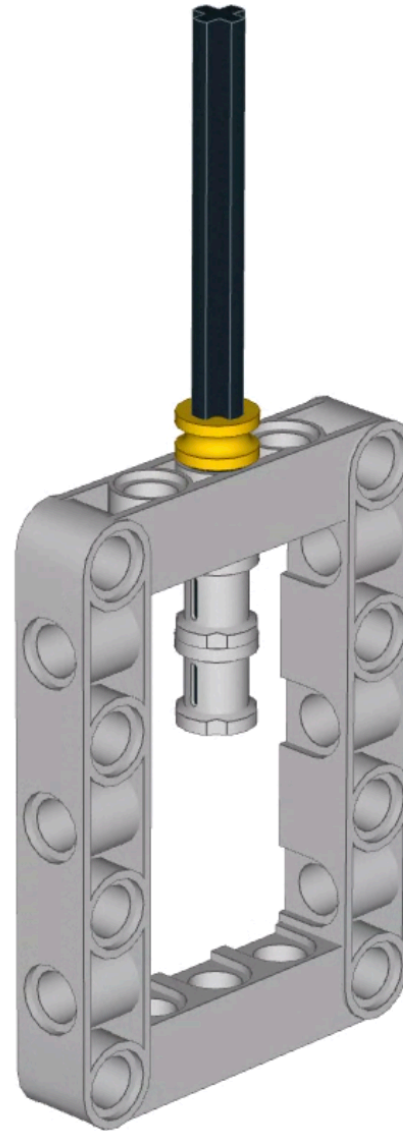


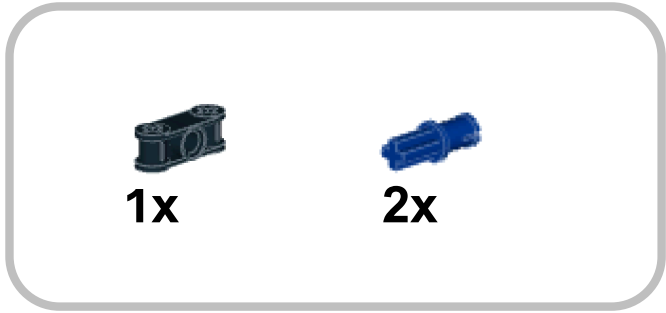
2x



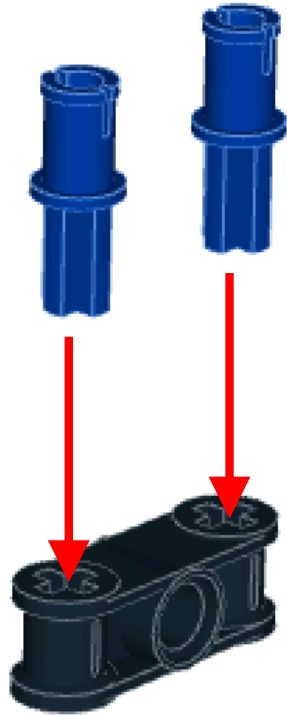
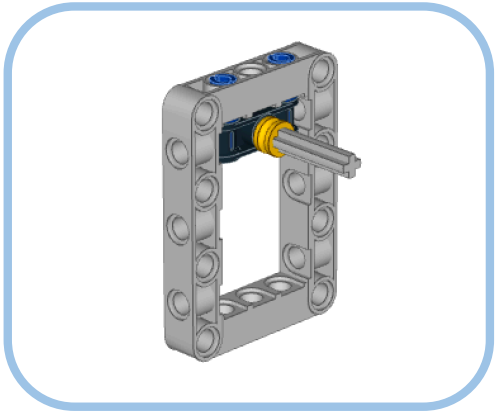
1x

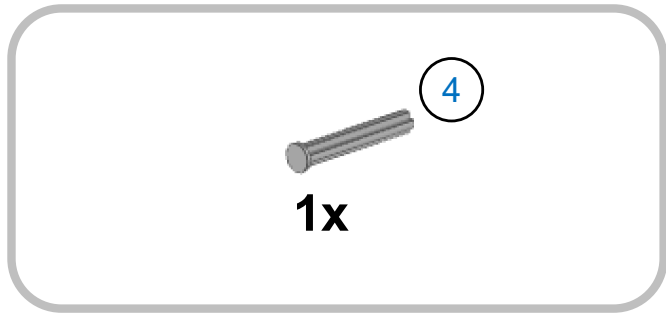
2



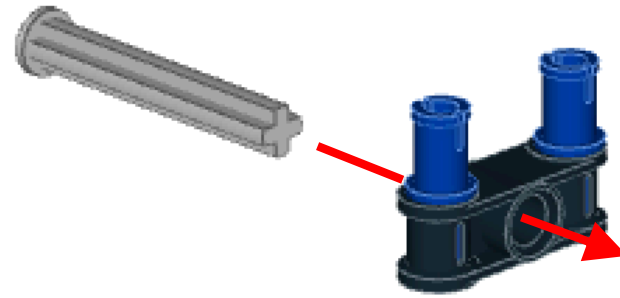


3



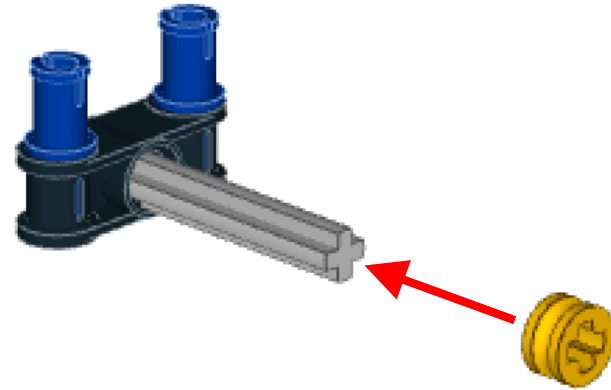


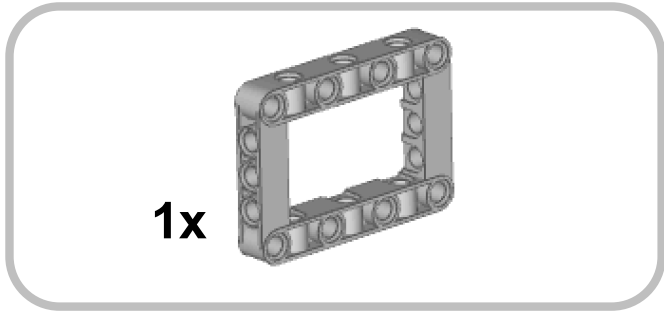
4



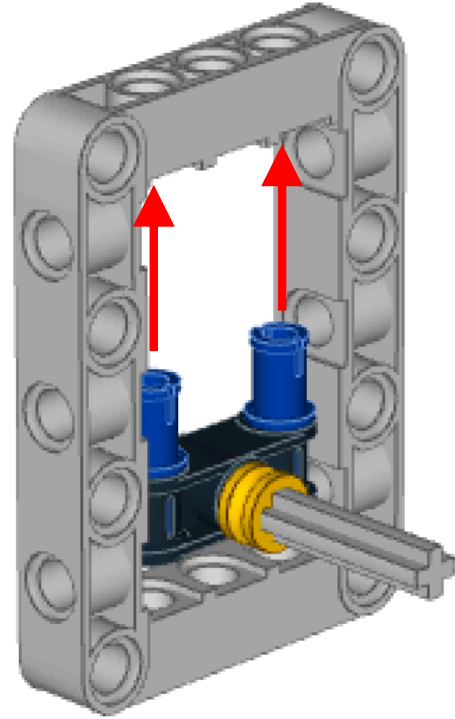


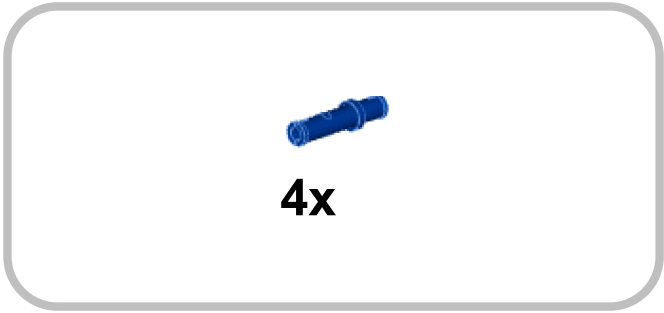
5



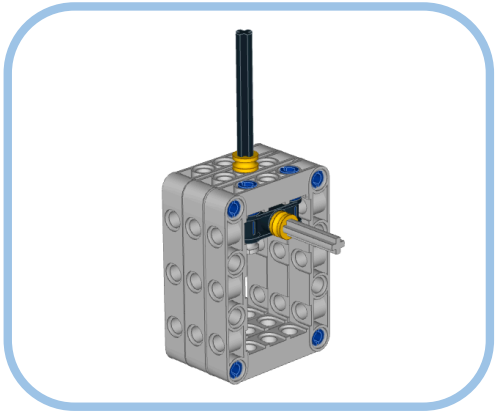
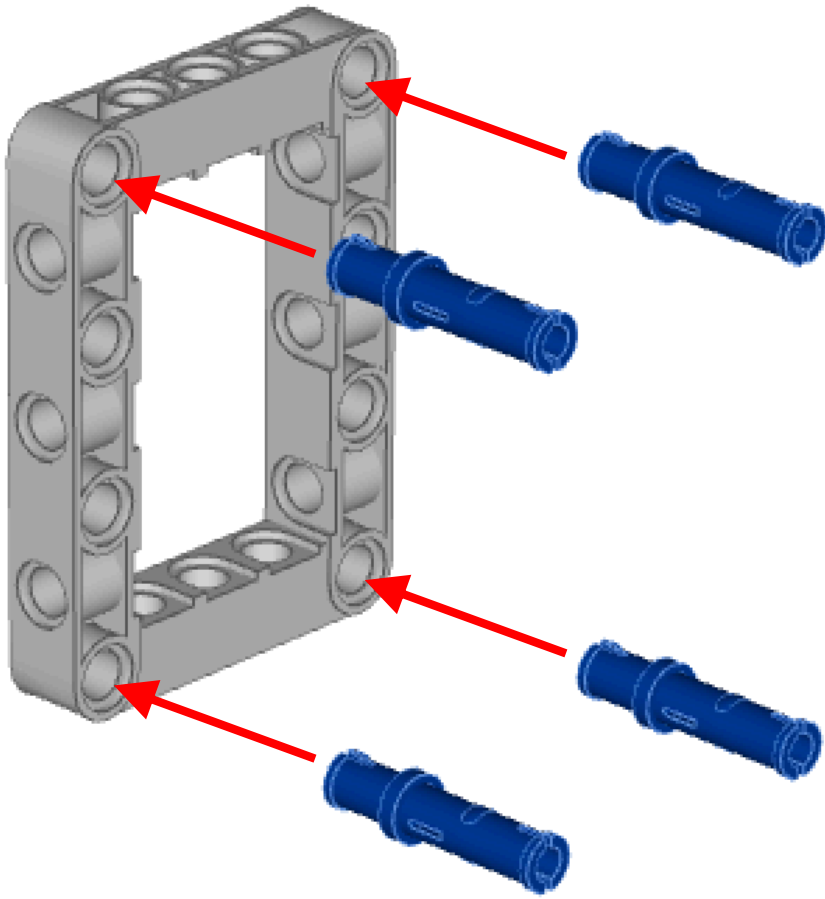


6

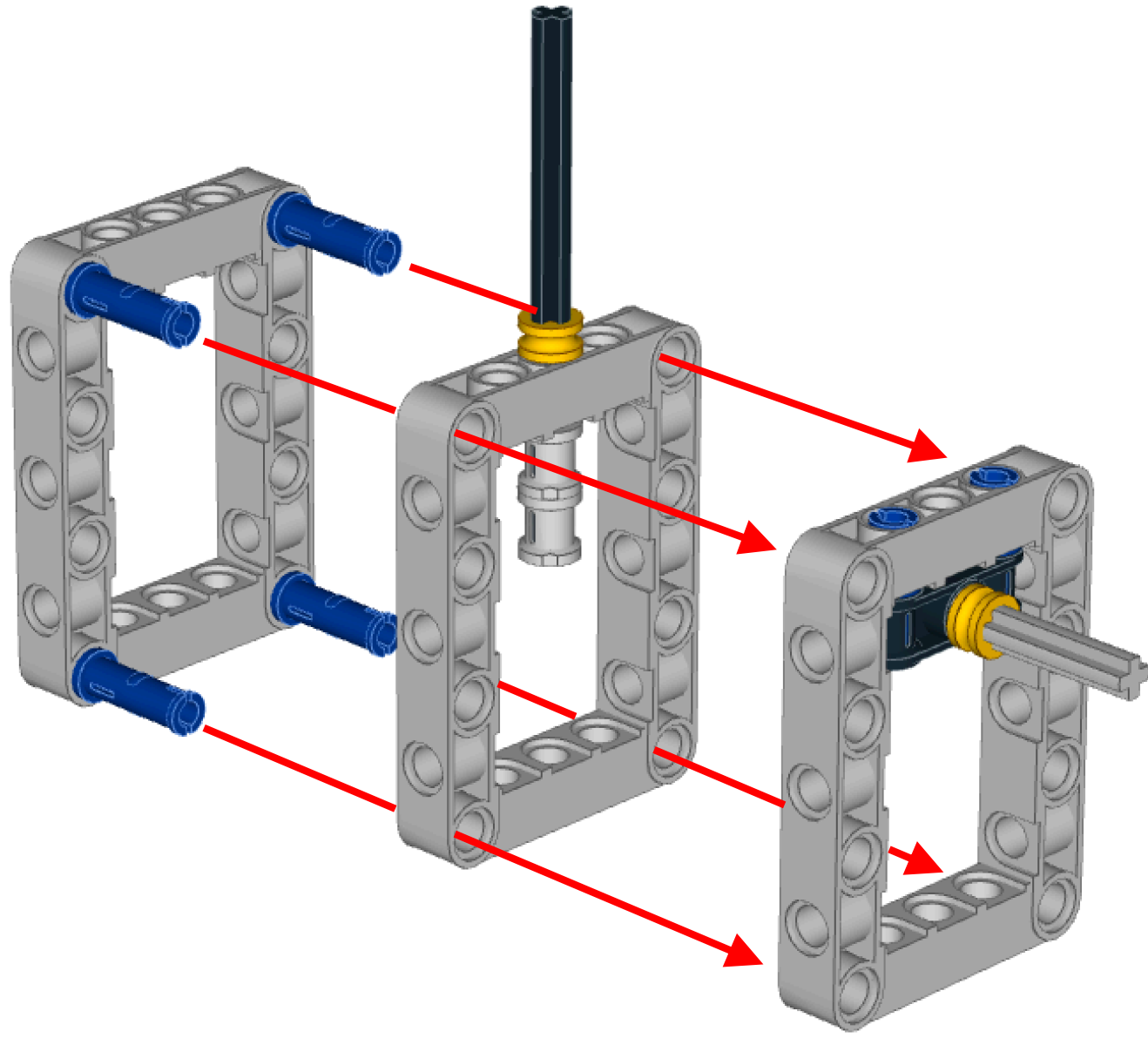


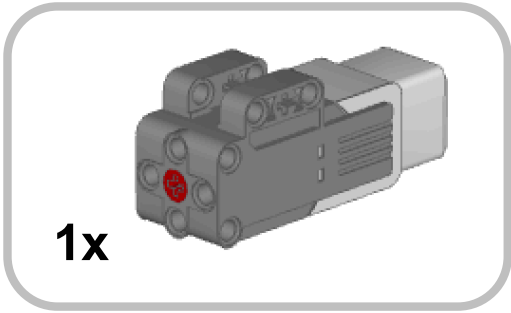


7

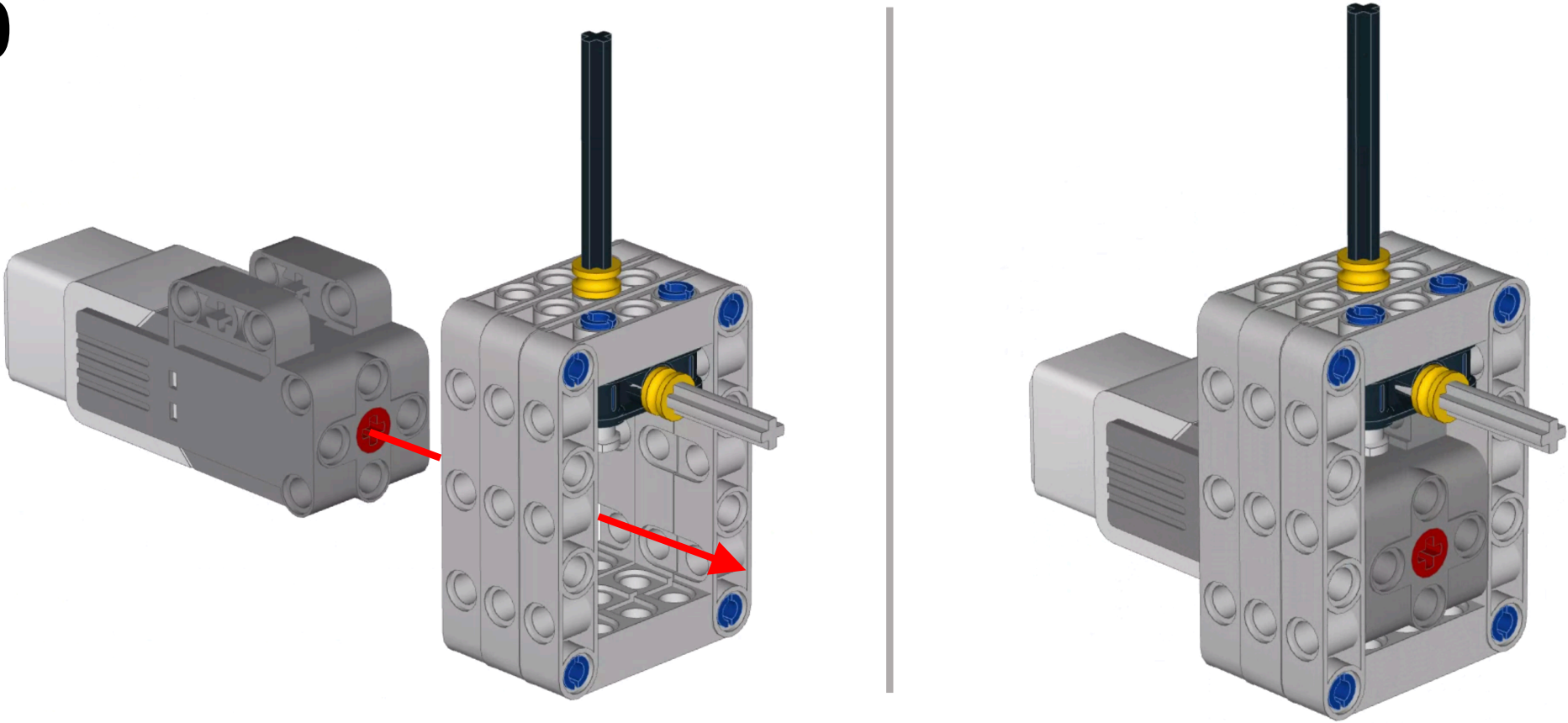


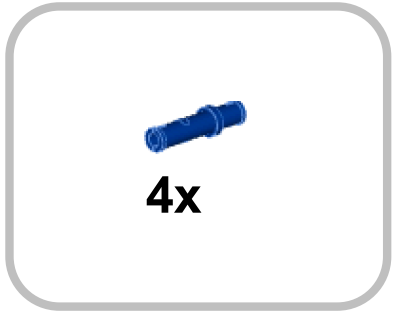
8



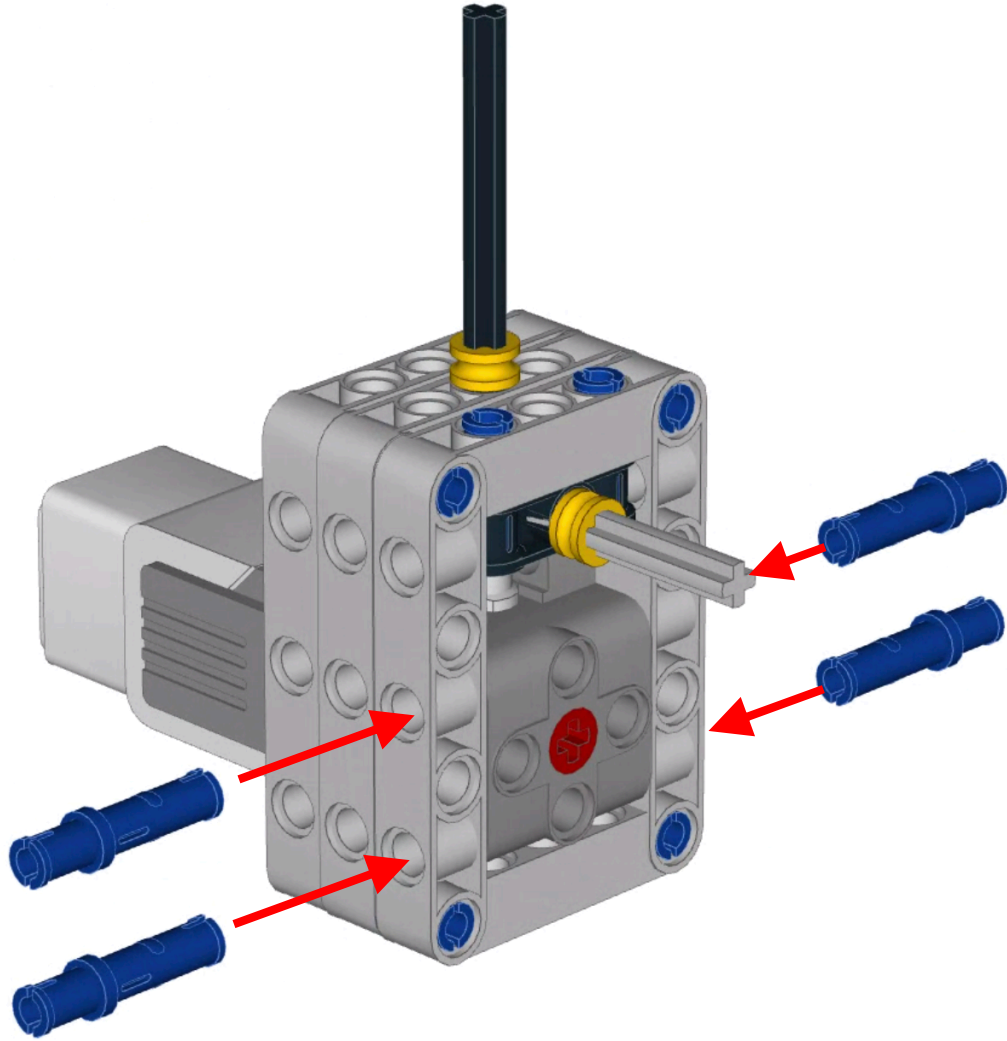


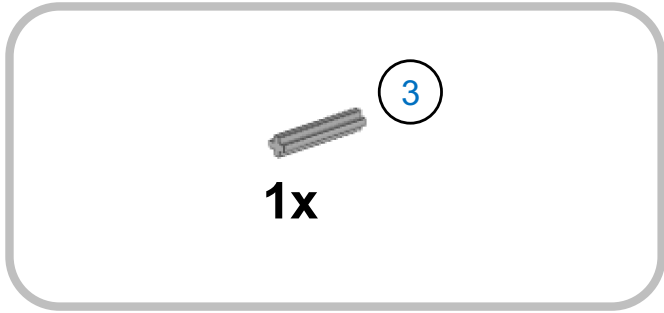
9



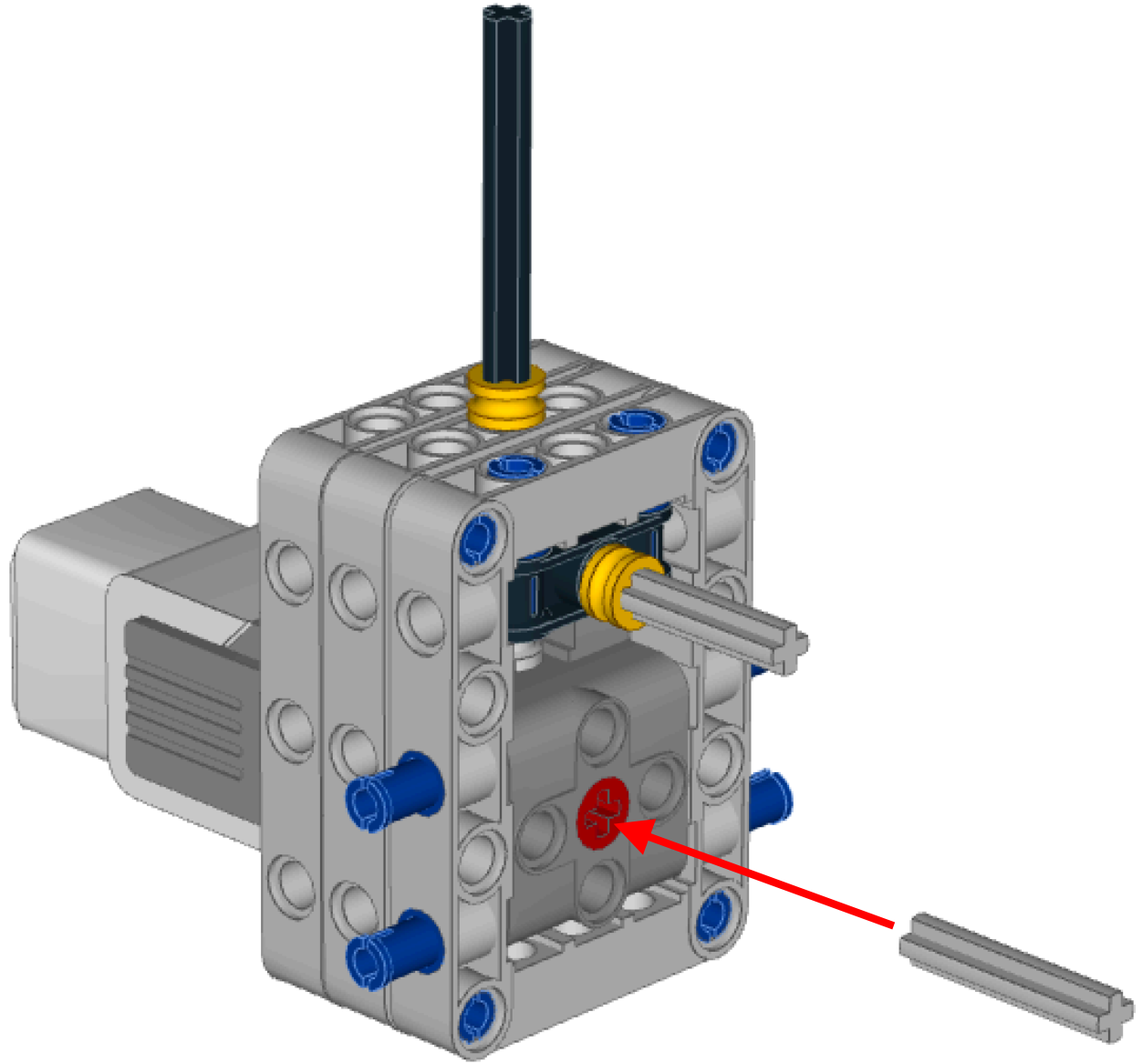


10



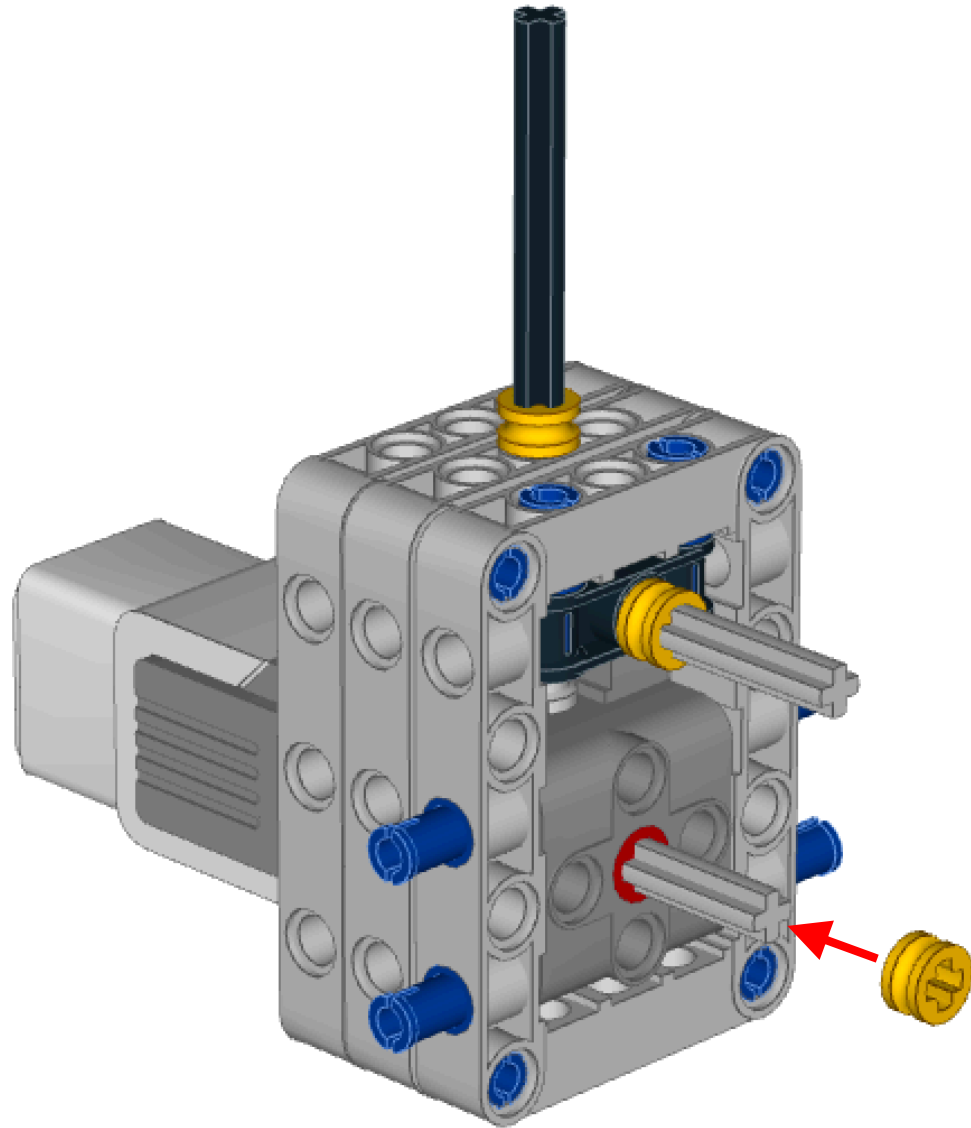


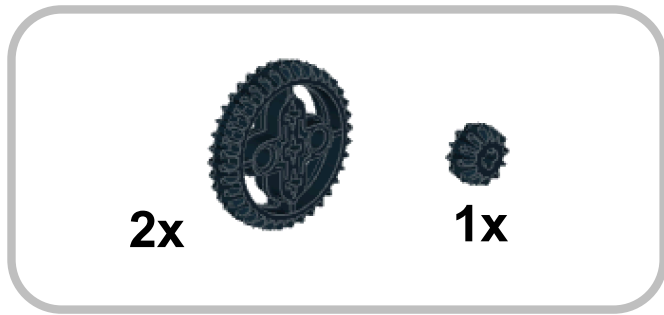
11



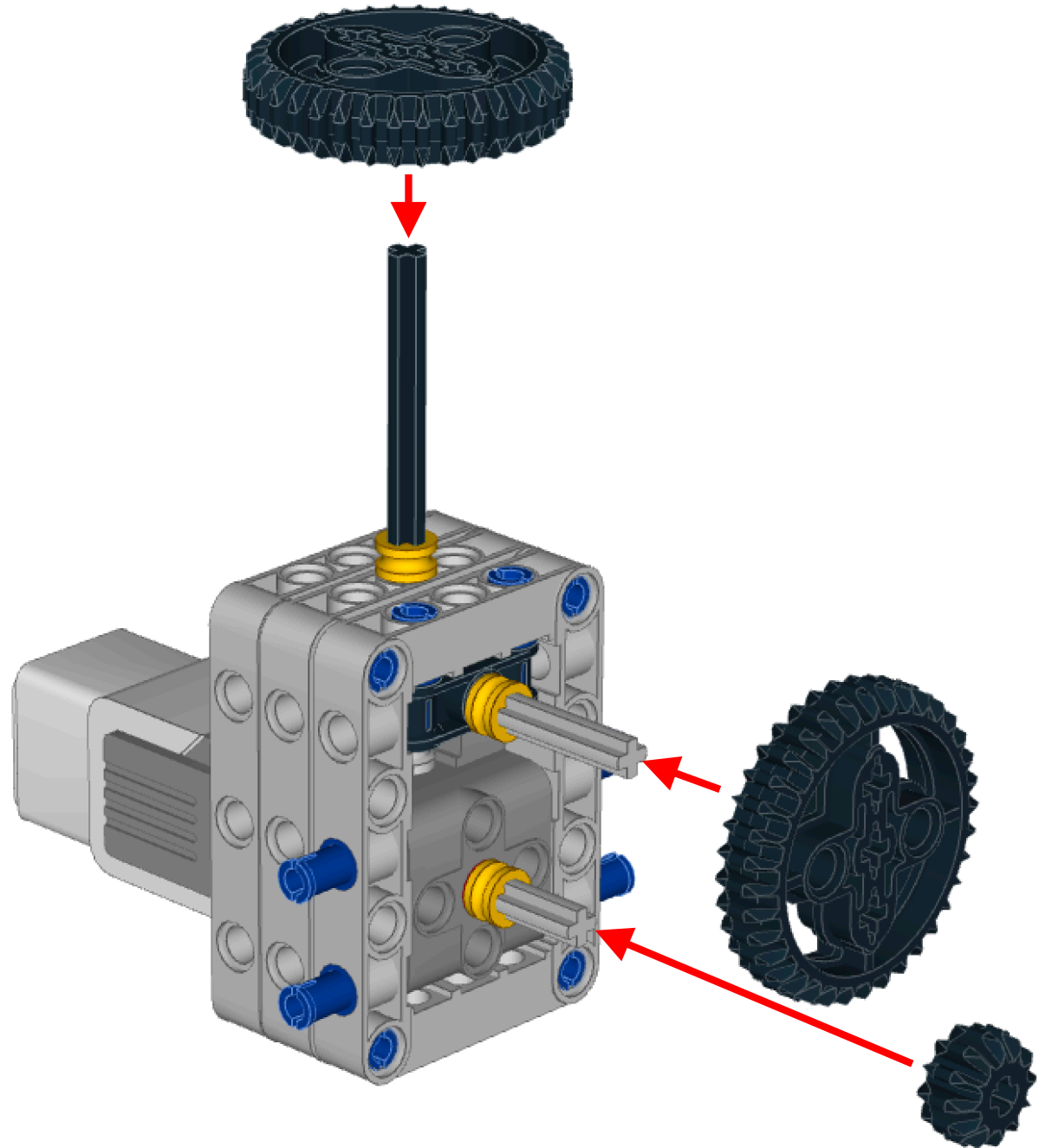


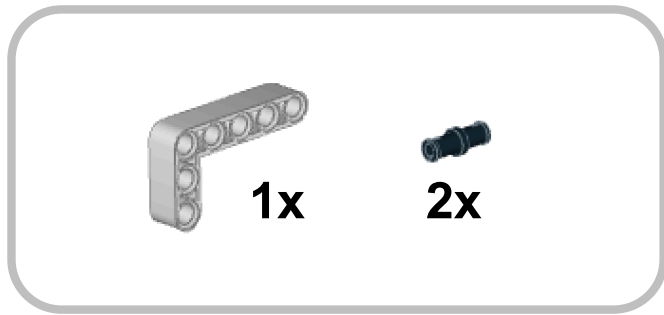
12



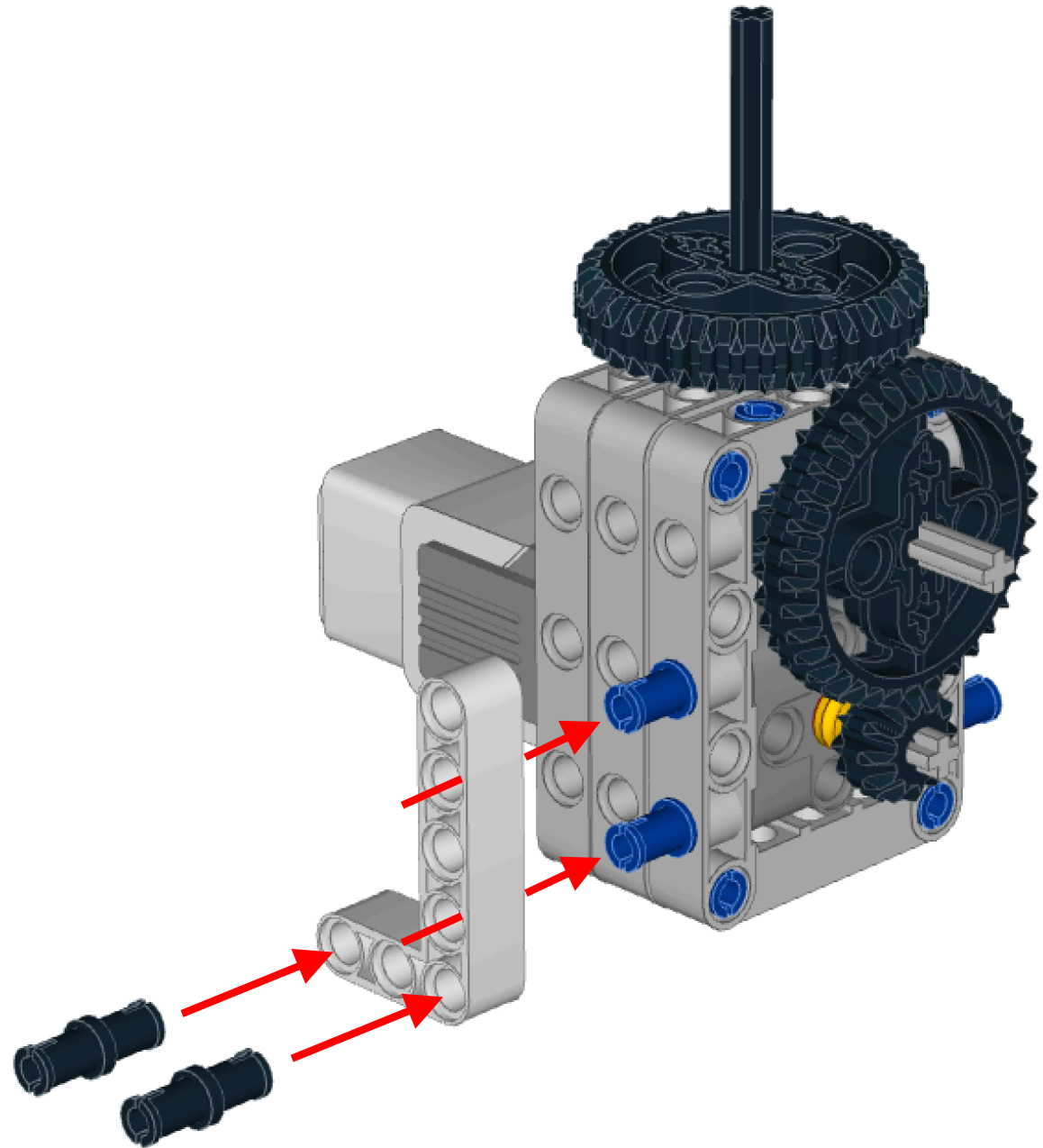


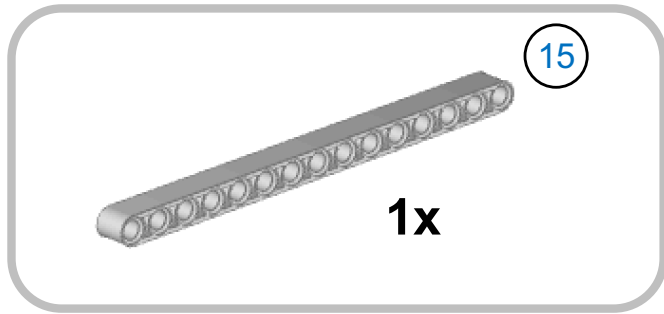
13



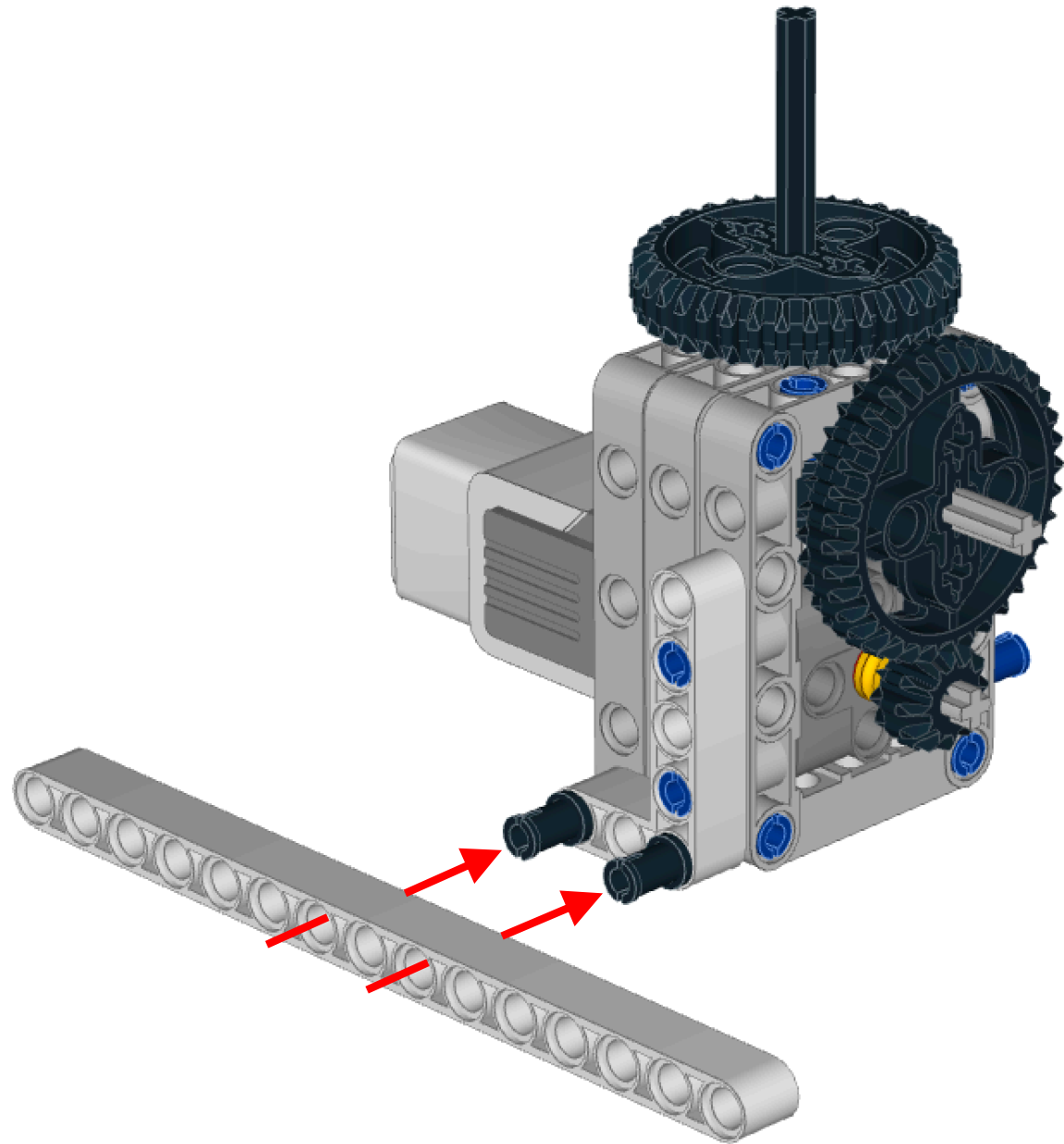


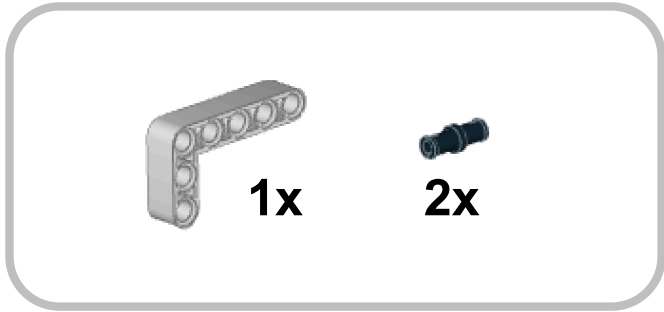
14



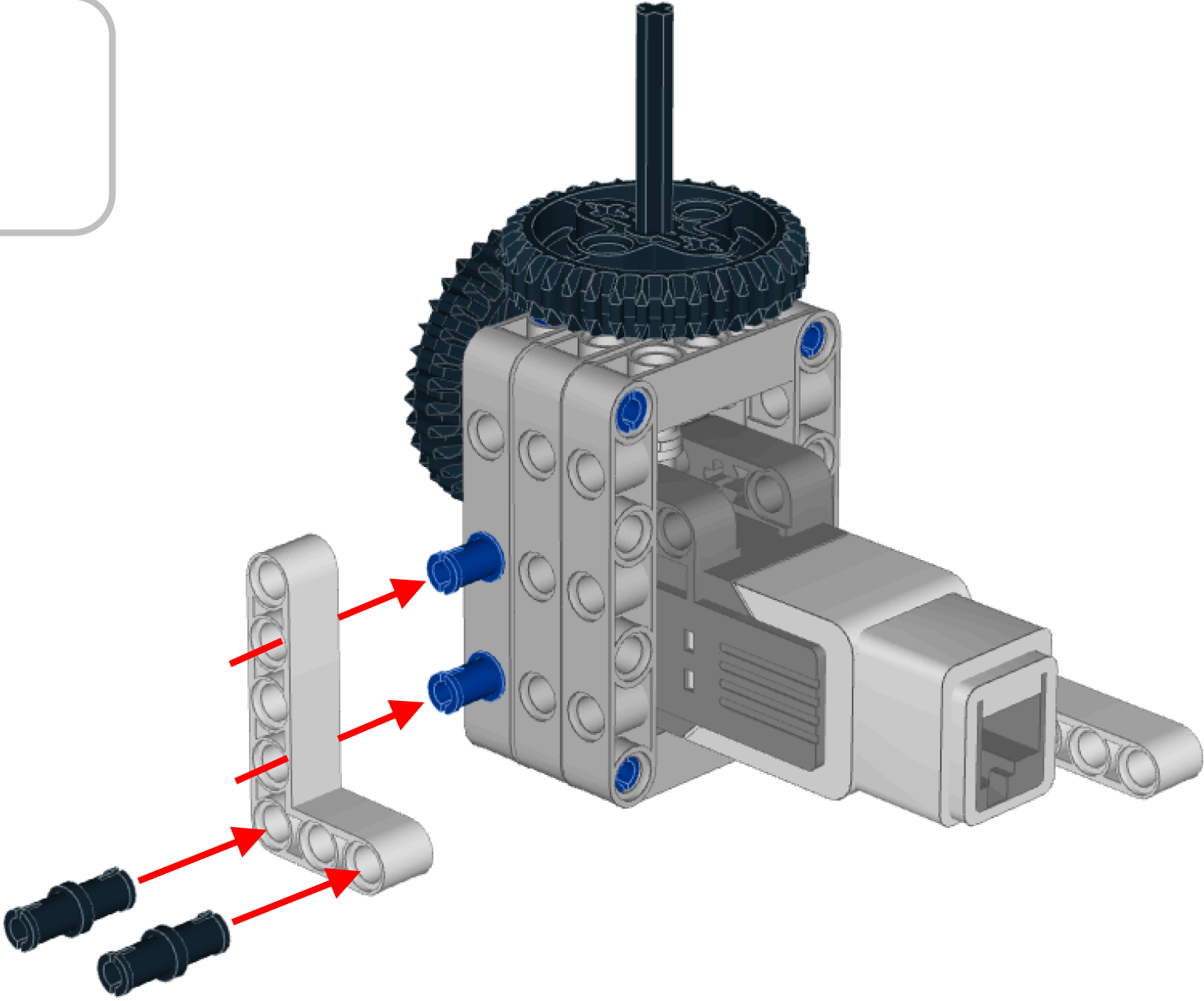


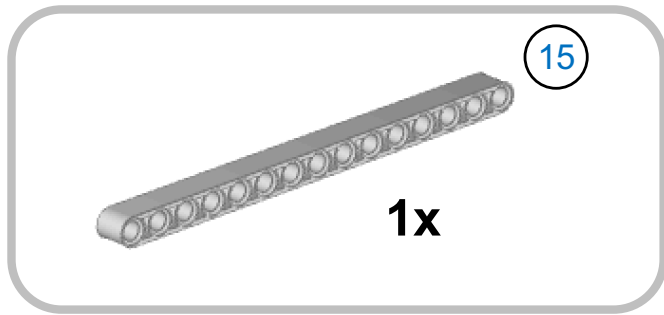
15



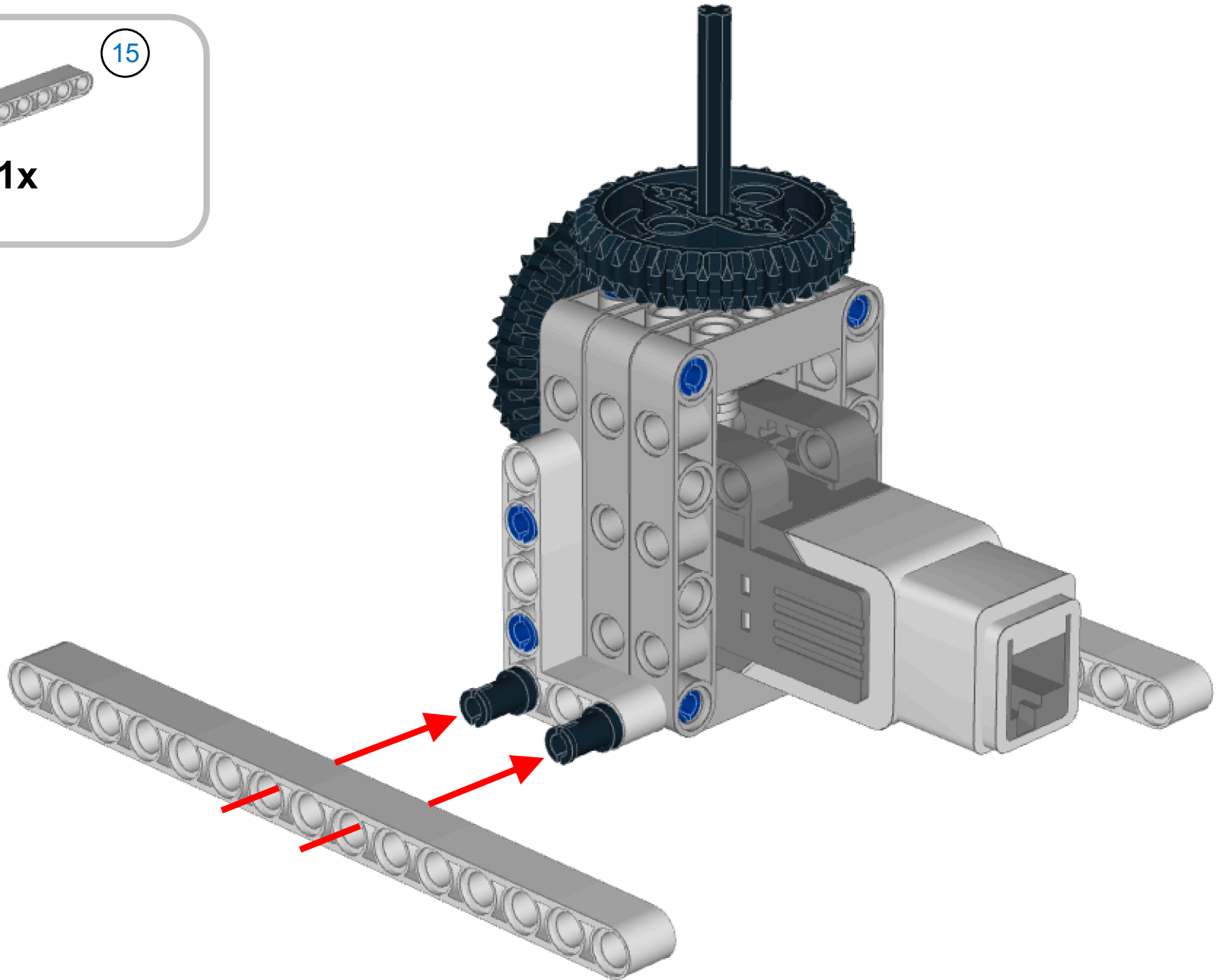


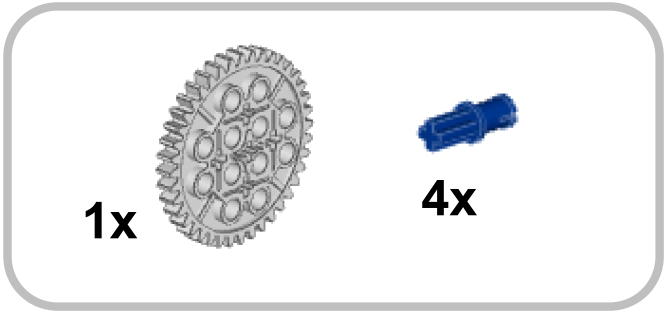
16



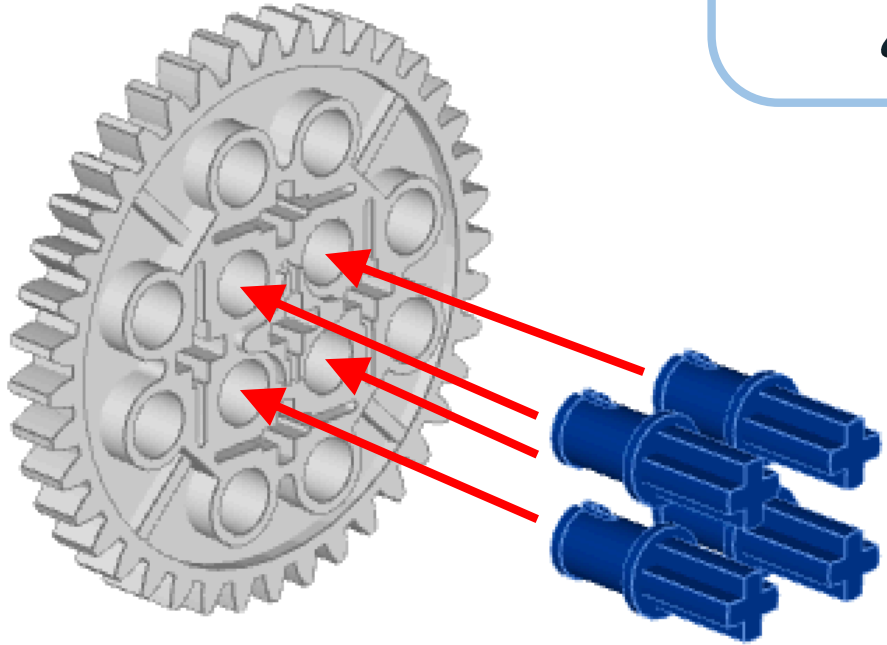
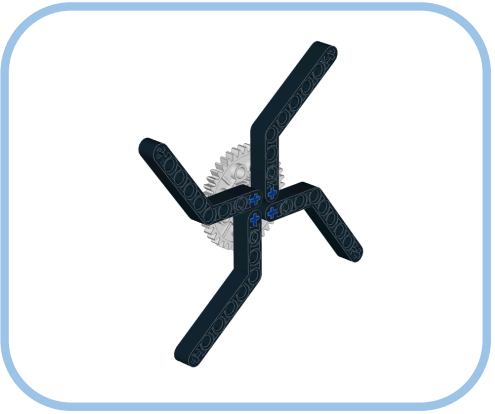


17



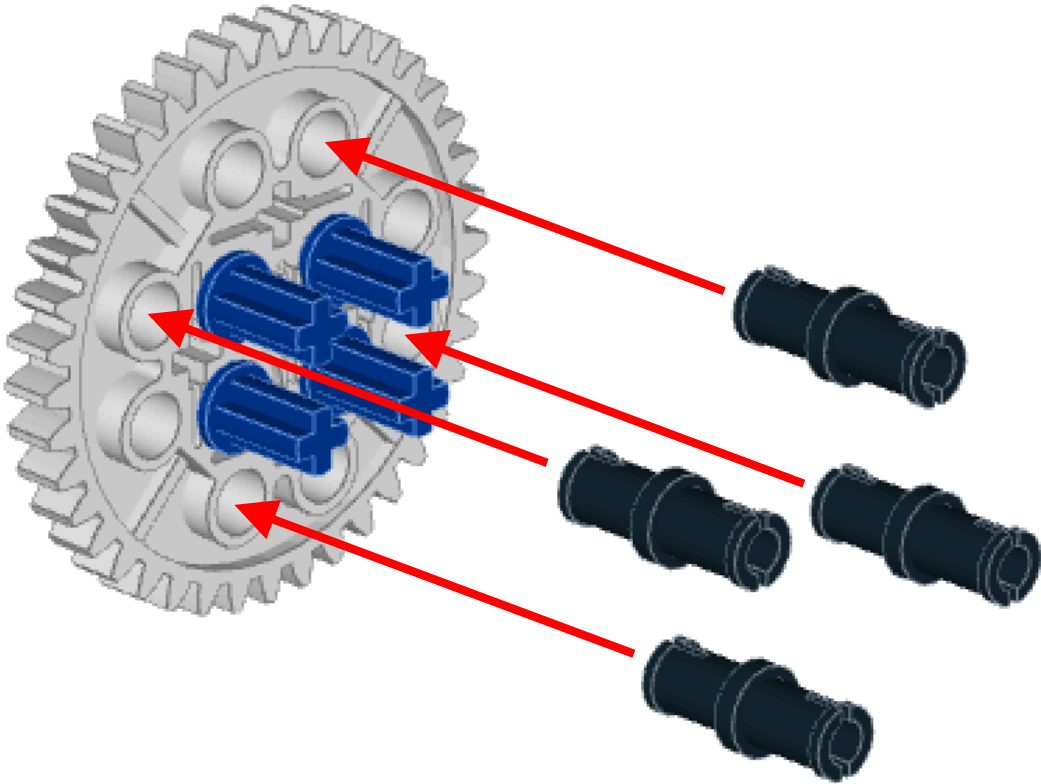


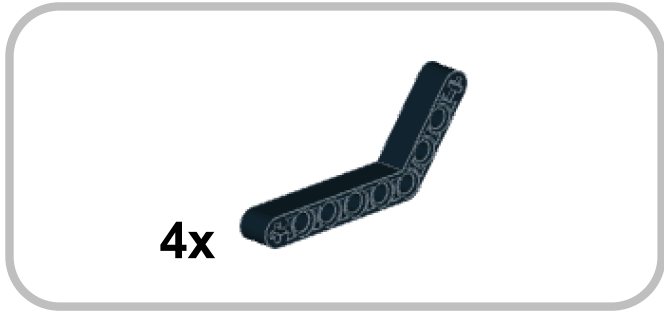
18



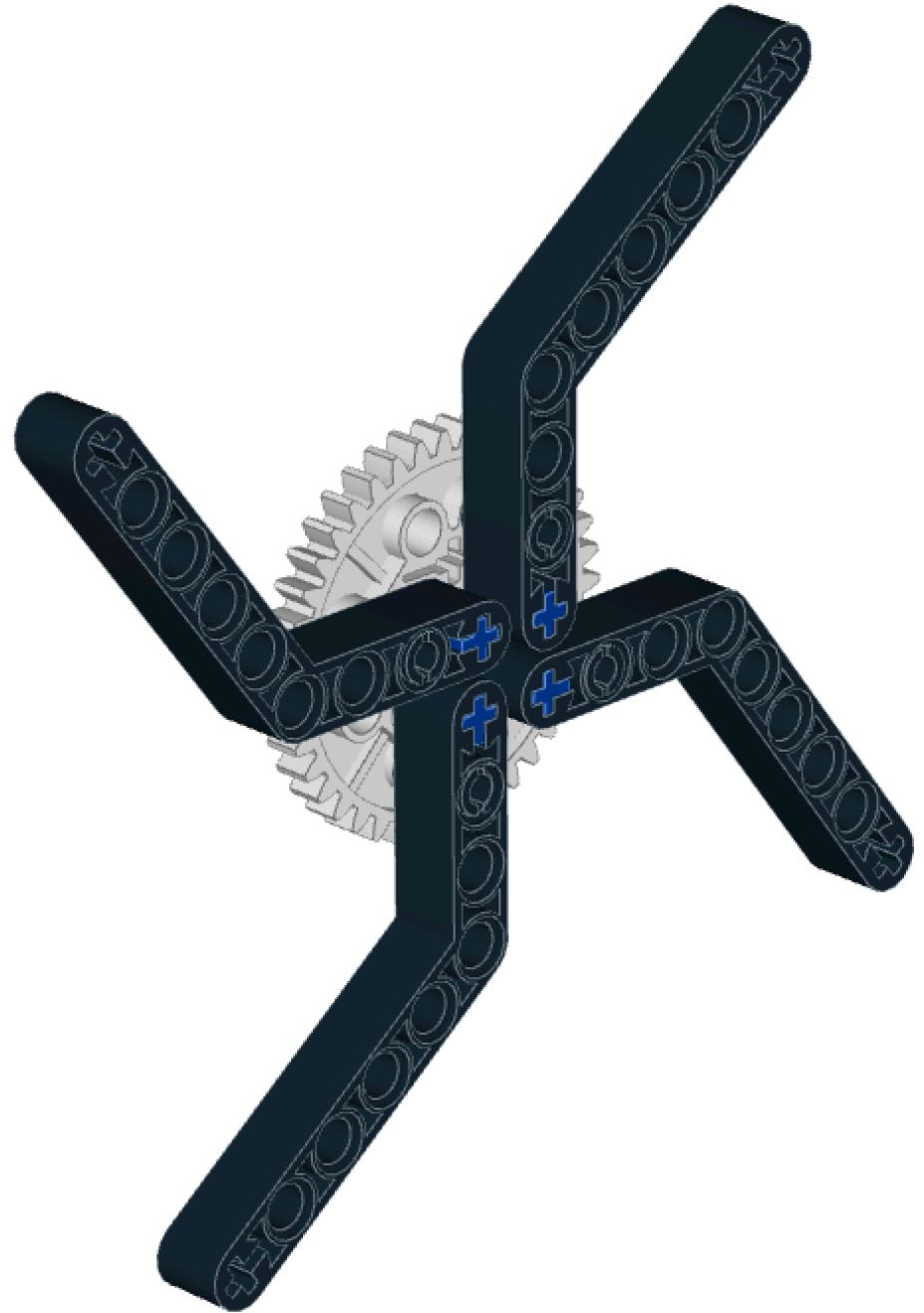


19

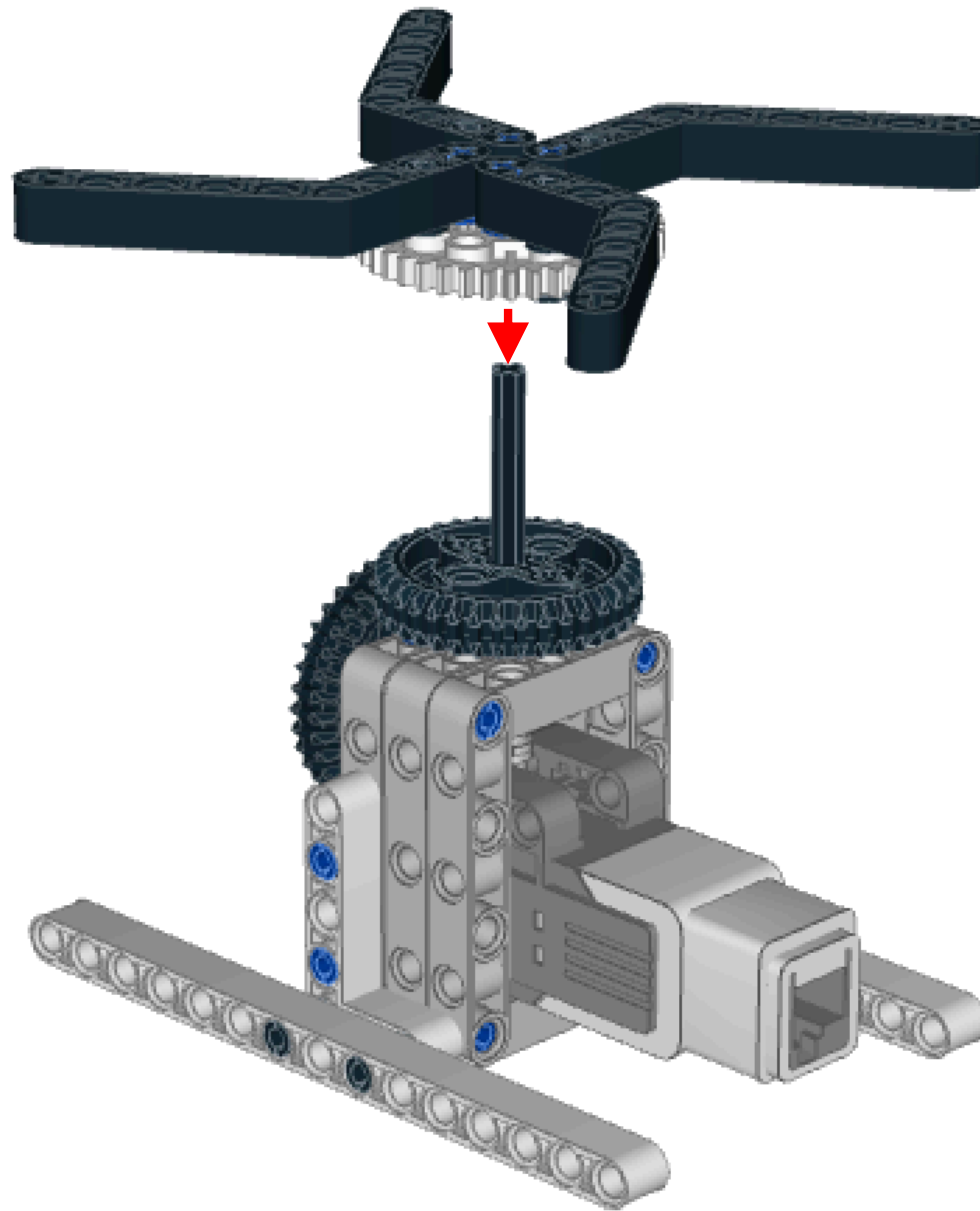


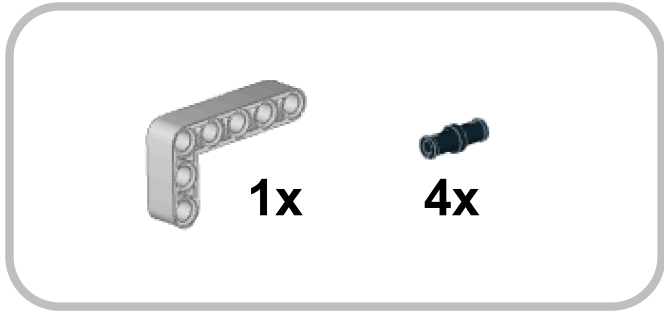


20

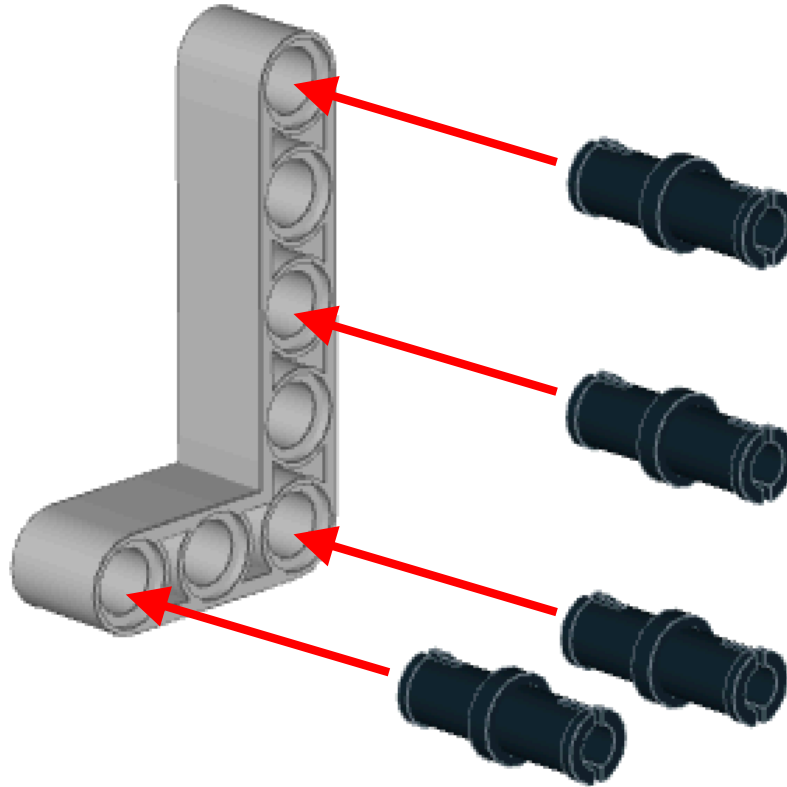
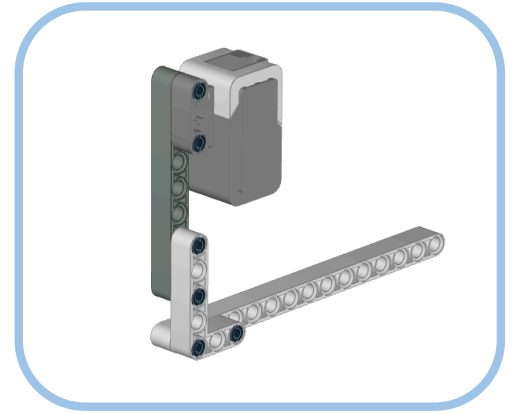


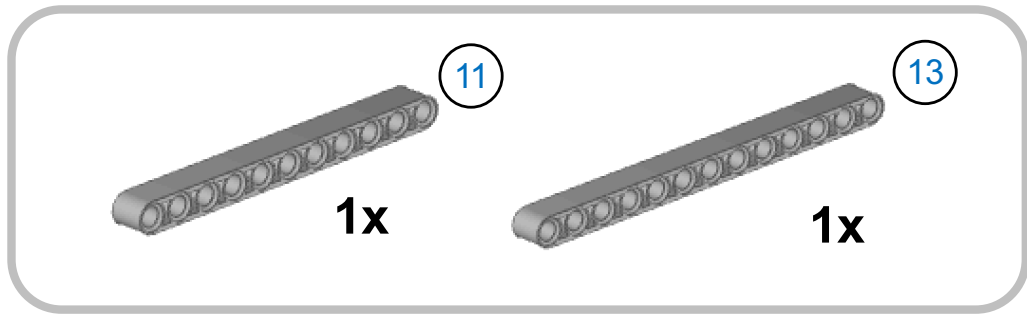
21



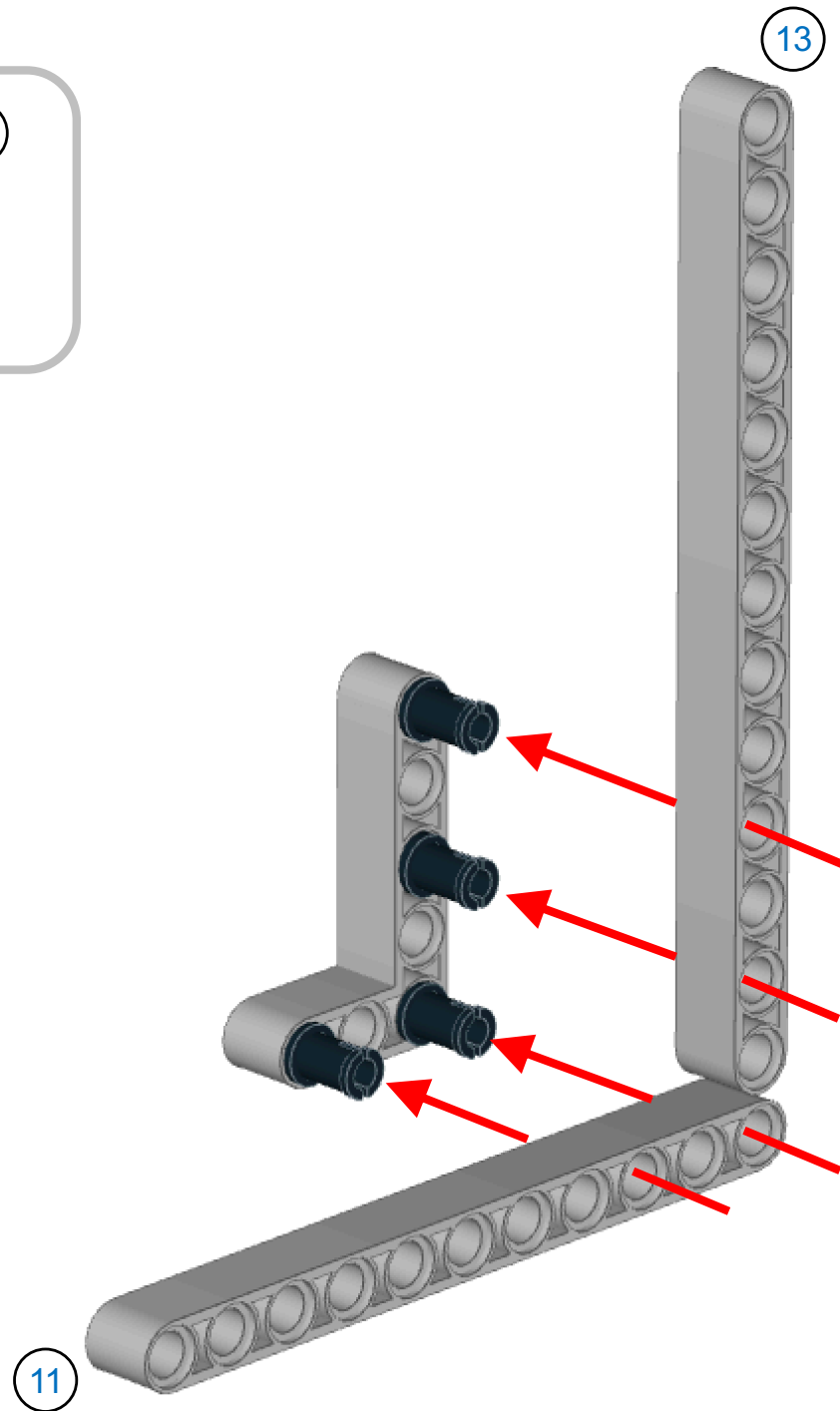


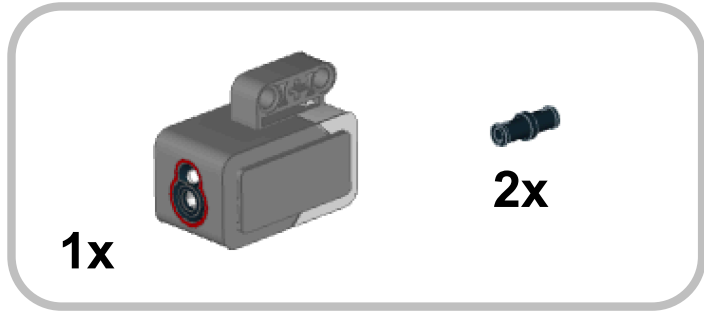
22



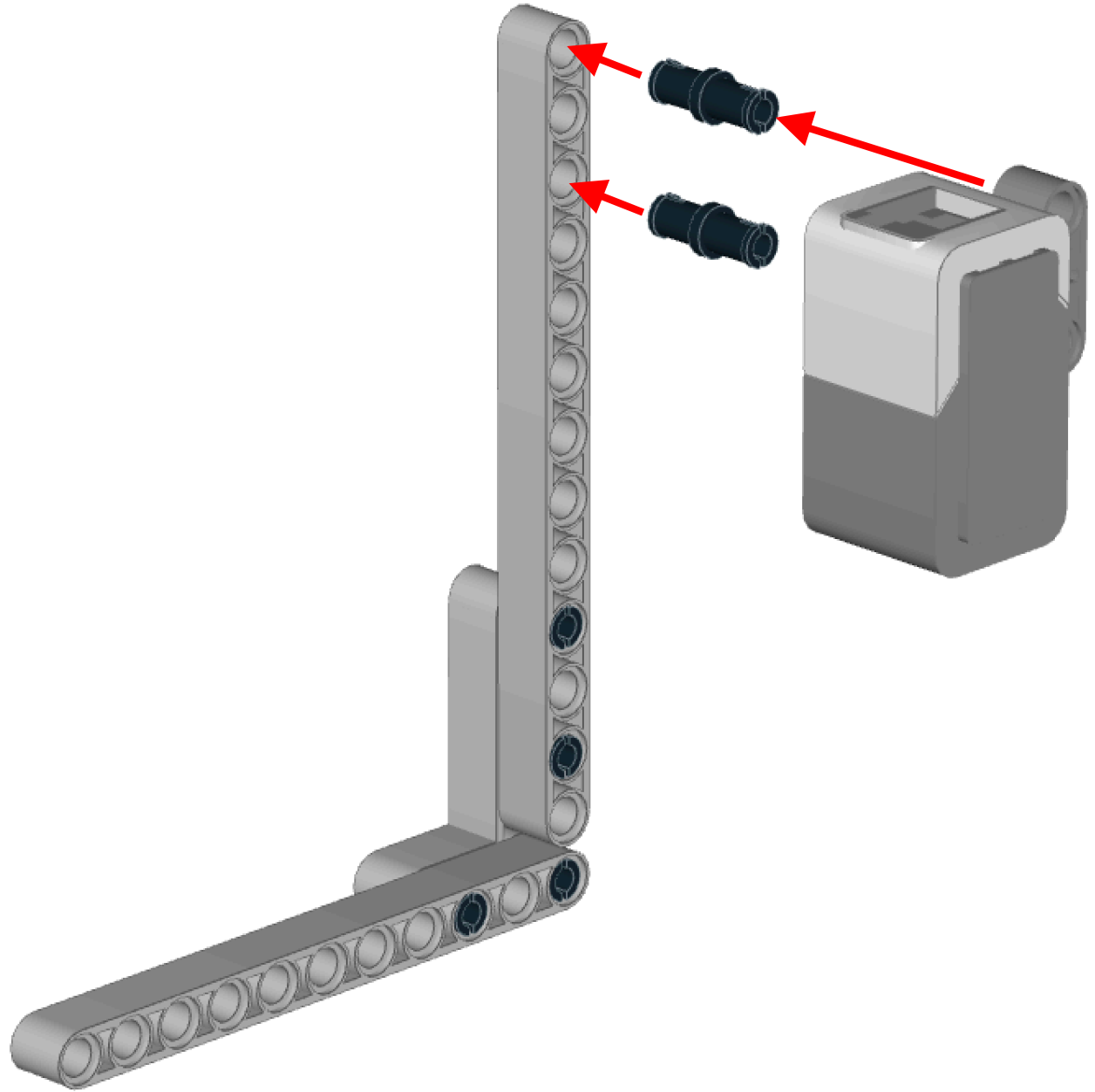


23



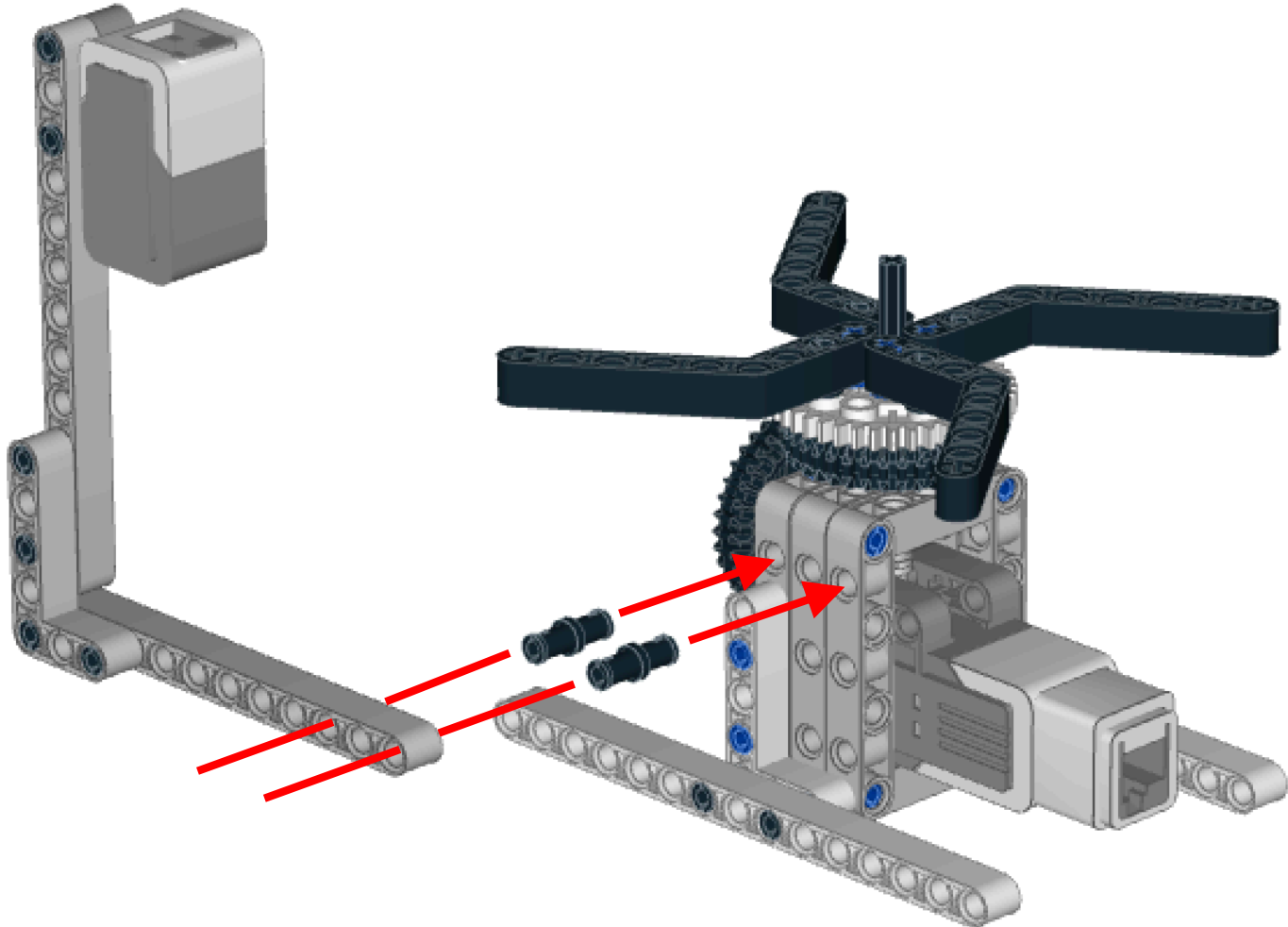


24

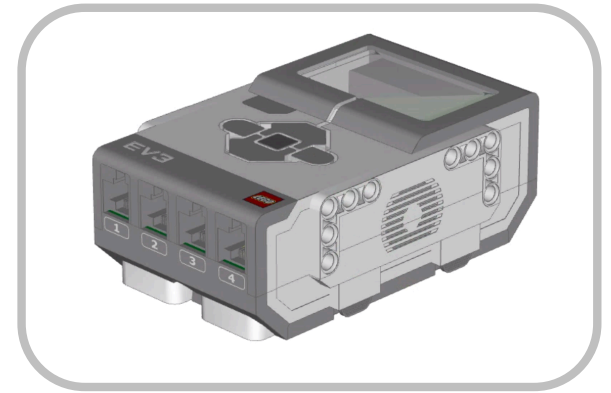
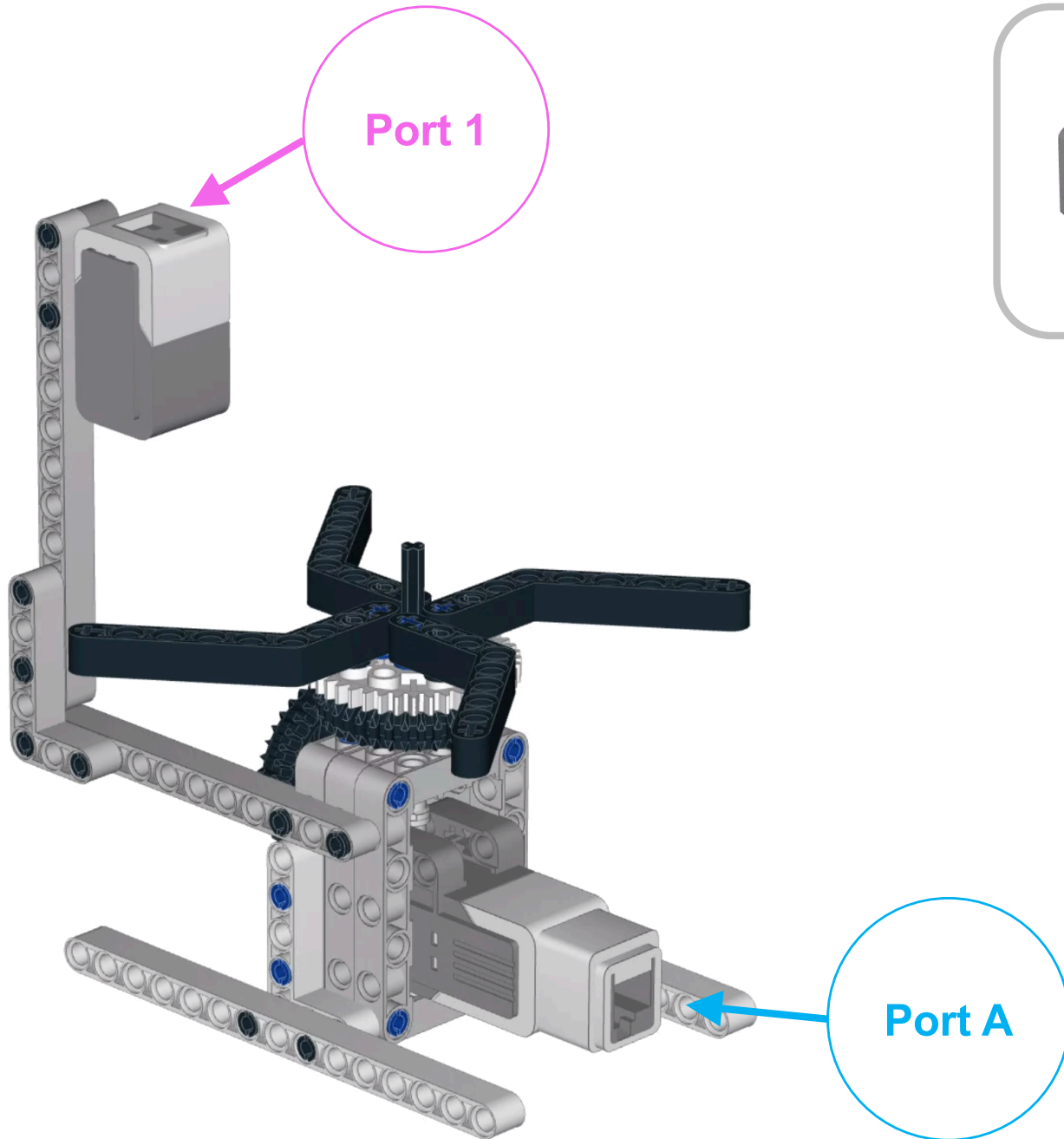




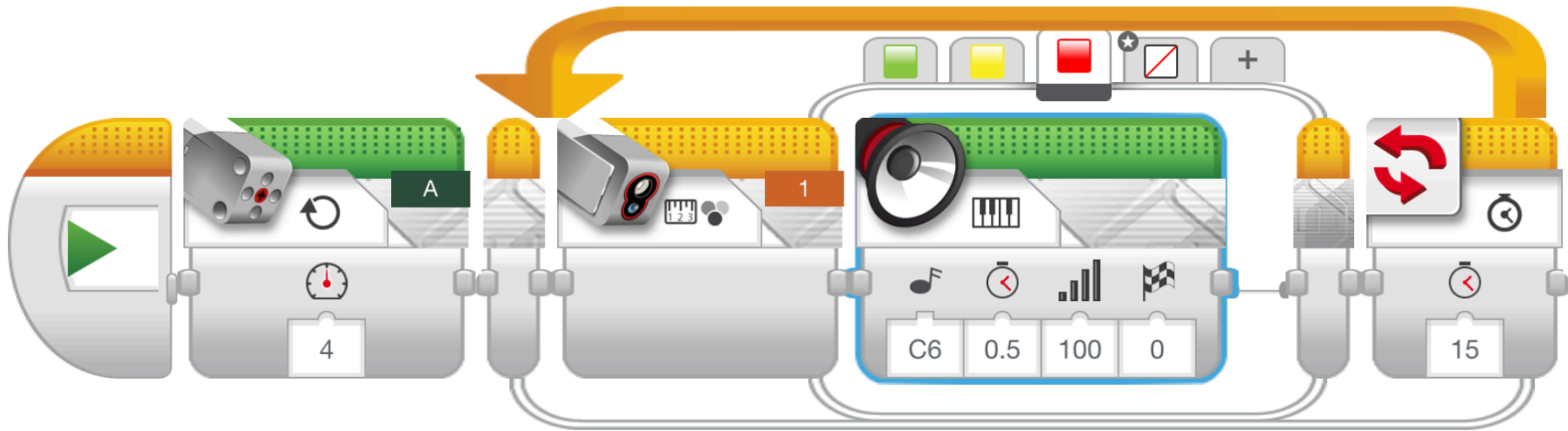
25



26

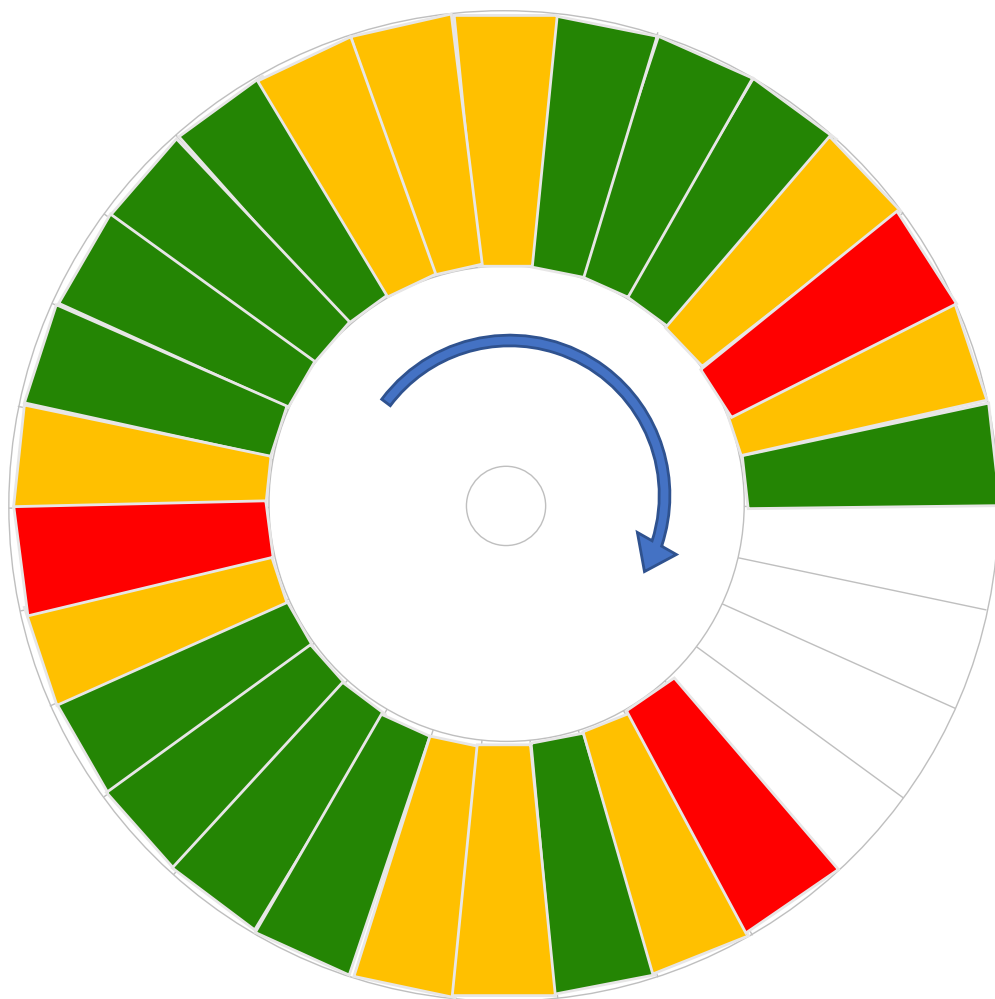


Example Program



* Don't forget to make a no color case that is the default case

Mary Had A Little Lamb



MA-RY HAD A LIT-TLE LAMB
E D C D E E E

LIT-TLE LAMB, LIT-TLE LAMB
D D D E E E

MA-RY HAD A LIT-TLE LAMB
E D C D E E E

ITS FLEECE WAS WHITE AS SNOW
E D D E D C

Blank Phonographs

